

4

3

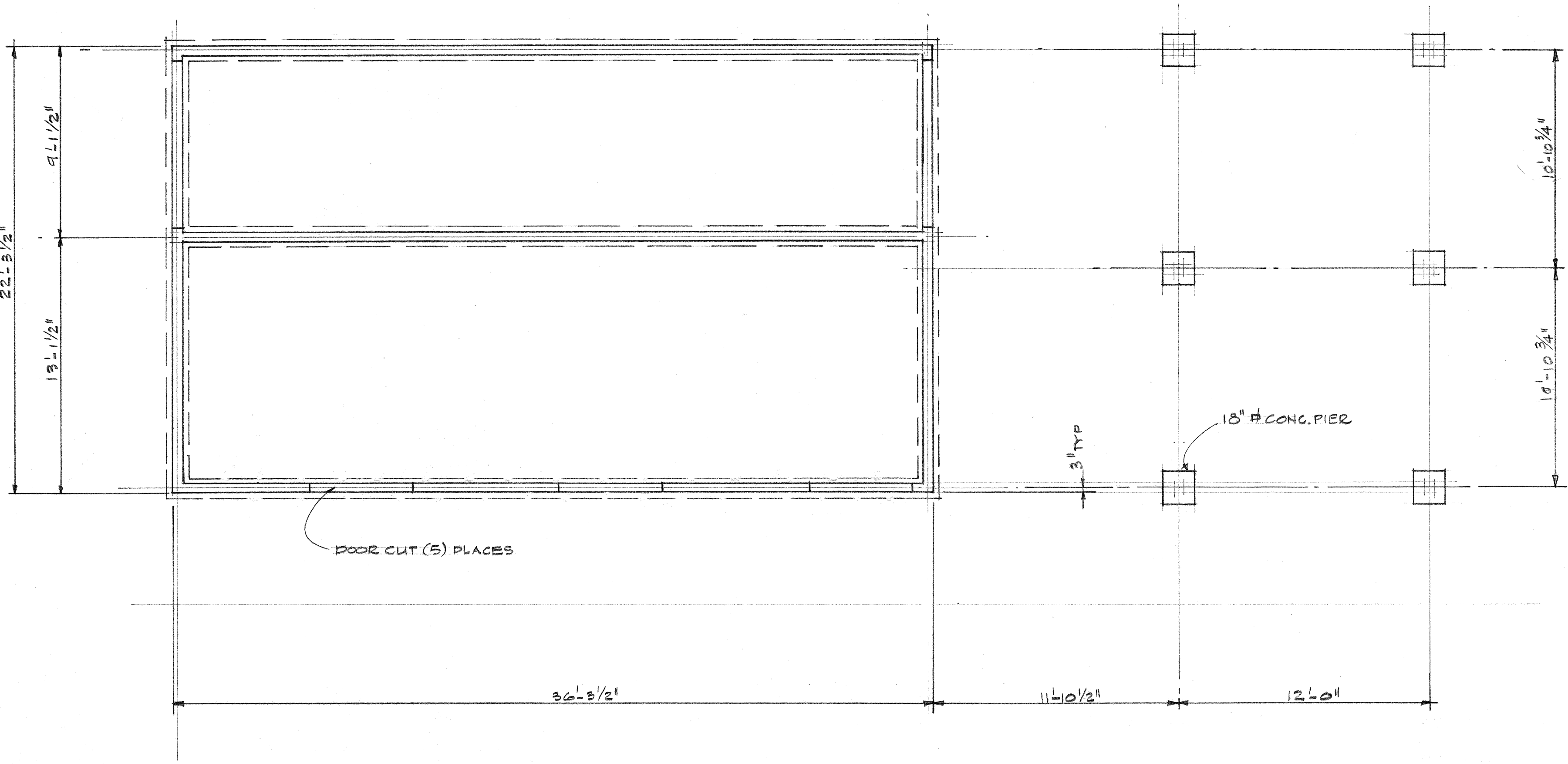
2

1

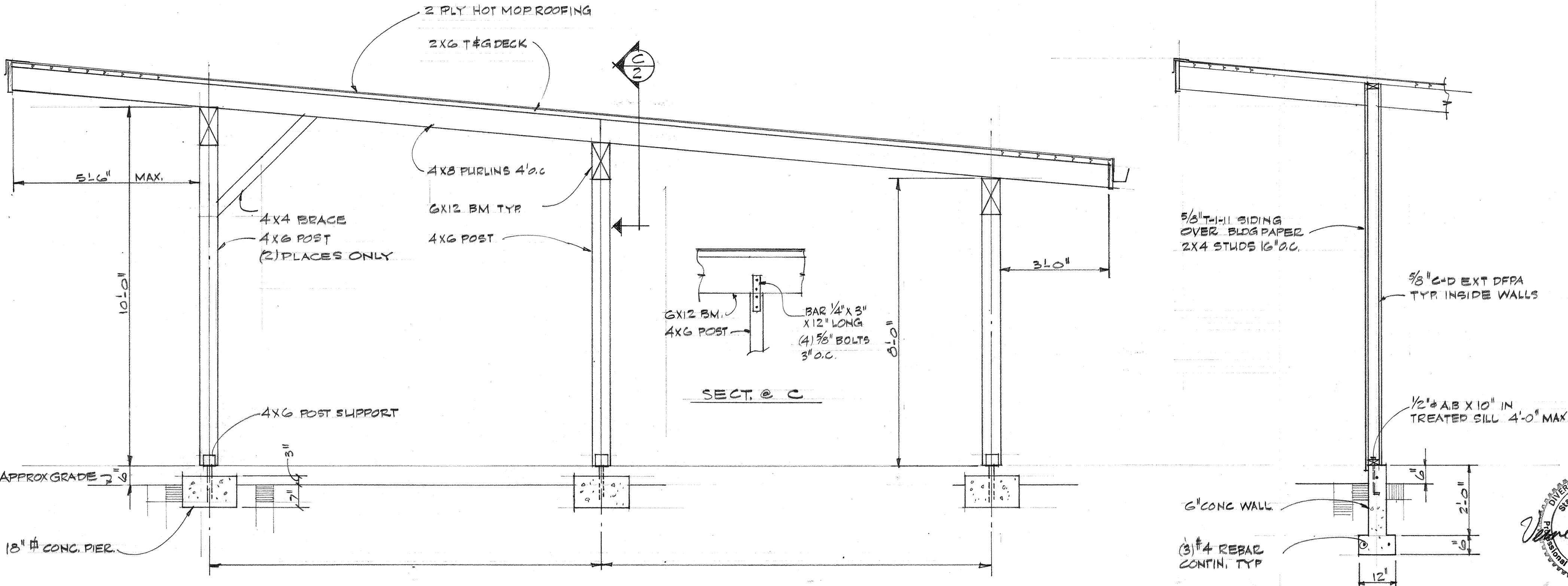
DO NOT SCALE

BILL OF MATERIAL

NO. TO SHIP	SHIP MARK	NO. PCS.	PC. MK.	SECTION	LENGTH		REMARKS
					FT.	IN.	



FOUNDATION PLAN  
SCALE 1/4" = 1'-0"



SECTION @ A  
SCALE 1/2" = 1'-0"

TYP WALL SECTION B



ITEM NO.	QTY	PART NO.	MATERIAL	DRAWING NUMBER	DESCRIPTION
<b>Diversified Design Inc.</b> PROFESSIONAL ENGINEERS & DESIGNERS P. O. BOX 1081 EVERETT, WASHINGTON 98201					
PROJECT: <b>FOUNDATION &amp; SECTIONS HORSE SHELTER</b>					
CUSTOMER: <b>L.R. BUNNEY</b>					
DATE	REVISION	APP'D	DRAWN BY	SCALE 1/4" = 1'-0"	DATE
THIS PRINT IS THE PROPERTY OF DIVERSIFIED DESIGN INC. IS CONFIDENTIAL AND IS TO BE USED ONLY IN CONJUNCTION WITH OUR WORK AND IS NOT TO BE COPIED OR REPRODUCED WITHOUT OUR PERMISSION AND TO BE RETURNED UPON REQUEST. ALL FINISHES DESIGNATED BY A.S.A. STANDARDS IN MICRO-INCHES. ANGULAR TOLERANCE ±1/2". MACHINED FRACTIONAL DIMENSIONS ±.015" UNLESS OTHERWISE SPECIFIED.					
ORDER NO.	CODE	DRWG. NO.	REV.		
	R.D.	D-2 OF 2			

D

C

B

A

4

3

2

1

DO NOT SCALE

4

3

2

1

BILL OF MATERIAL

NO. TO SHIP	SHIP MARK	NO. PCS.	PC. MK.	SECTION	LENGTH		REMARKS
					FT.	IN.	

D

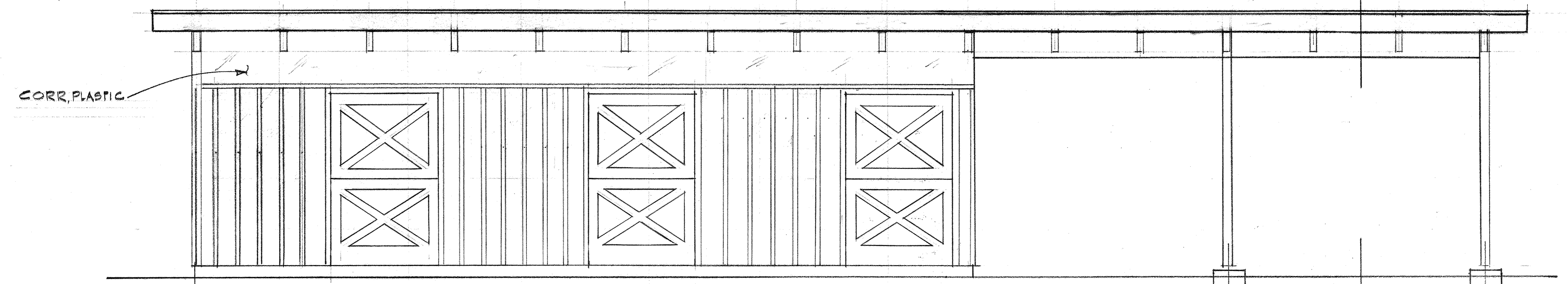
C

B

A

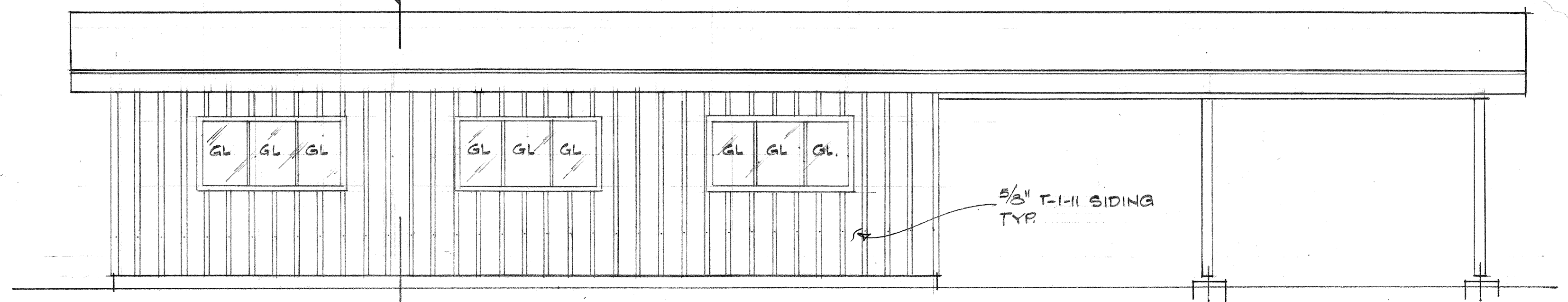


PLAN VIEW



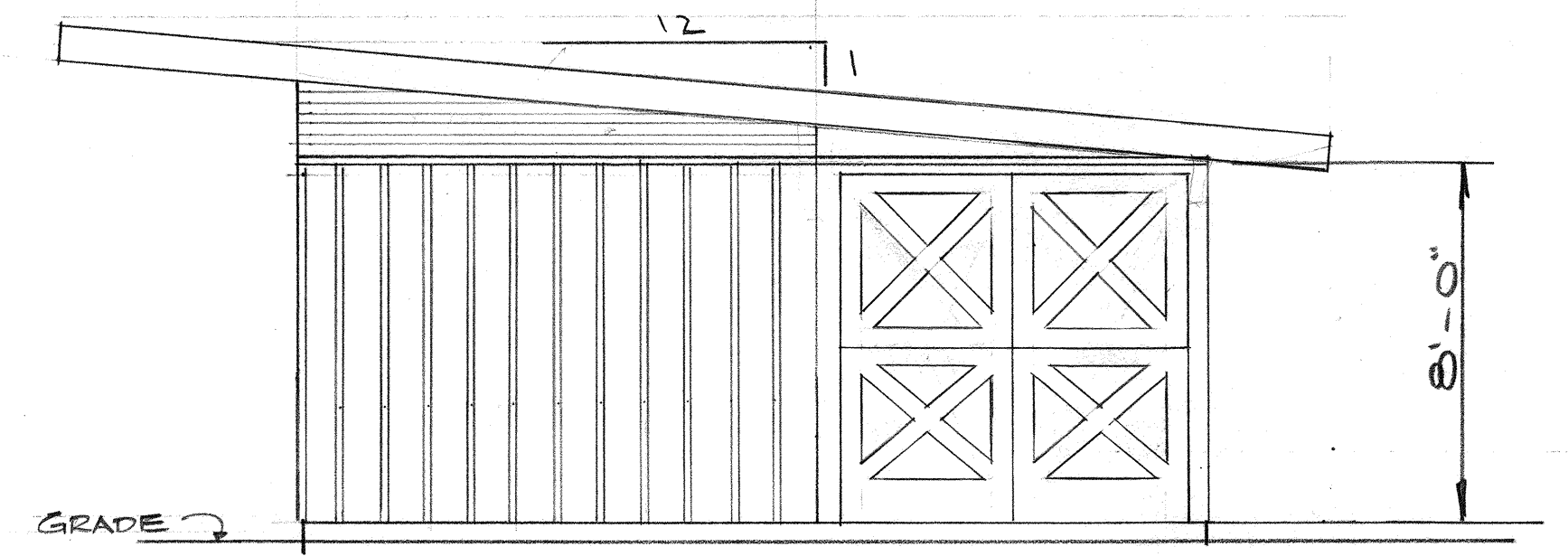
FRONT ELEVATION

SCALE 1/4"=1'-0"



REAR ELEVATION (SHOWN OPP. HAND FROM ACTUAL)

SCALE 1/4"=1'-0"

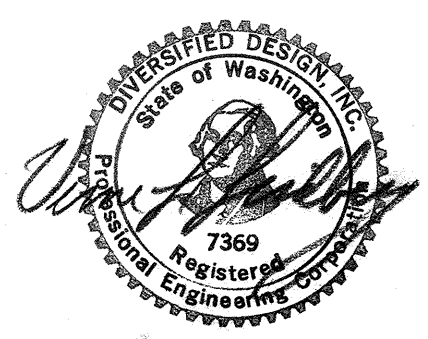


TYP END ELEVATION

SCALE 1/4"=1'-0"

GENERAL NOTES

- CODES**  
CONFORM TO REQUIREMENTS OF U.B.C 1970  
ALL APPLICABLE LOCAL CODES AND REGULATIONS
- LOADS**  
SNOW LOAD 25 P.S.F.  
WIND 20 P.S.F.  
SEISMIC ZONE III
- SOIL**  
ASSUMED SOIL BEARING 2000 P.S.F. MIN.  
ALL FOOTINGS TO REST ON UNDISTURBED SOIL
- CONCRETE**  
MIN. 28 DAY STRENGTH 2,000 P.S.I. MIN. CEMENT CONTENT 5 SACK / C.Y. CONC.
- REINFORCING**  
ASTM A-615-68 GRADE 40 FS 20,000 P.S.I.



ITEM NO.	QTY	PART NO.	MATERIAL	DRAWING NUMBER	DESCRIPTION
<b>Diversified Design Inc.</b> PROFESSIONAL ENGINEERS & DESIGNERS P.O. BOX 1081 EVERETT, WASHINGTON 98201					
PROJECT: <b>PLAN AND ELEVATIONS HORSE SHELTER</b>					
CUSTOMER: <b>L.R. BUNNEY</b>					
DATE	REVISION	APP'D	DRAWN BY	SCALE 1/4"=1'-0"	DATE 6-14-73
THIS PRINT IS THE PROPERTY OF DIVERSIFIED DESIGN INC. IS CONFIDENTIAL AND IS NOT TO BE USED OR REPRODUCED WITHOUT OUR PERMISSION AND TO BE RETURNED UPON REQUEST.			TRACED BY	CHECKED BY	APPROVED
ALL FINISHES DESIGNATED BY A.S.A. STANDARDS IN MICRO-INCHES. ANGULAR TOLERANCE ±1/2". MACHINED FRACTIONAL DIMENSIONS ±.015", UNLESS OTHERWISE SPECIFIED.			ORDER NO.	CODE R.D.	DRWG. NO. D-1 OF 2